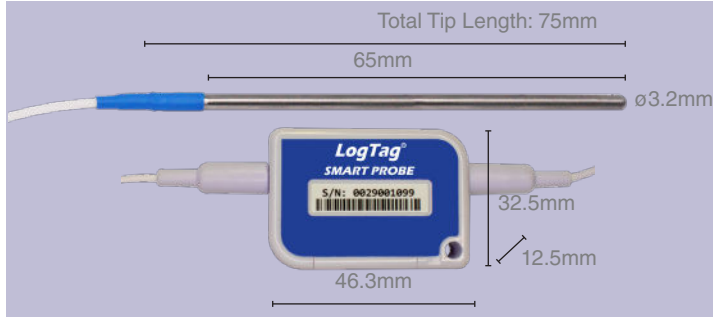


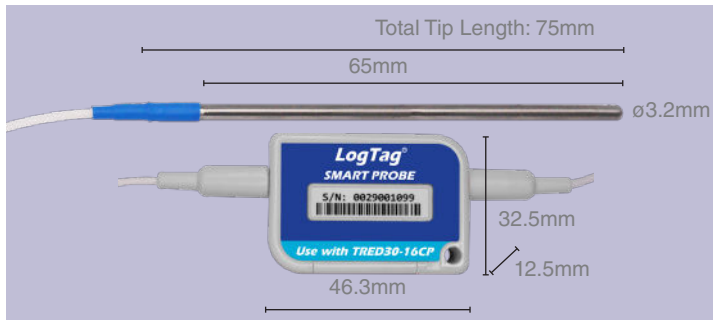
## Smart Probes

The LogTag® Smart Calibrated Probes are a precise and reliable probe that can be swapped out and calibrated separately from your compatible logger. This reduces logging downtime and removes the need to return the logger for calibration. When calibration is required, the plug-and-play design allows users to interchange the probe easily.



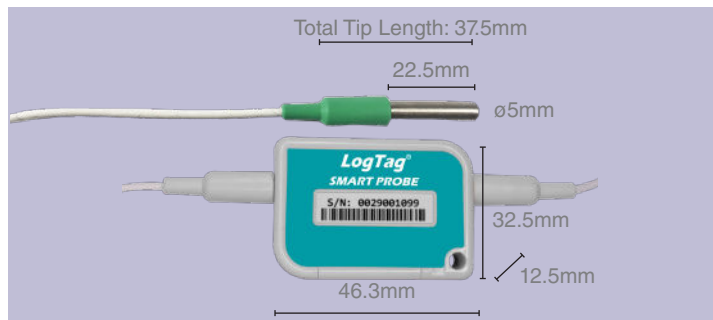
**CP100K - Smart Probe**

<b>Part #:</b>	CP100K-15: 1.5m (4'11") CP100K-30: 3.0m (9'10")
<b>Compatible Loggers:</b>	UTRED30-16 Dual-Channel UTRED30-WiFi Dual-Channel TRED30-16U
<b>Stainless Probe Type:</b>	316
<b>Sensor Temperature Range:</b>	-40 °C to +99 °C (-40 °F to +210 °F)



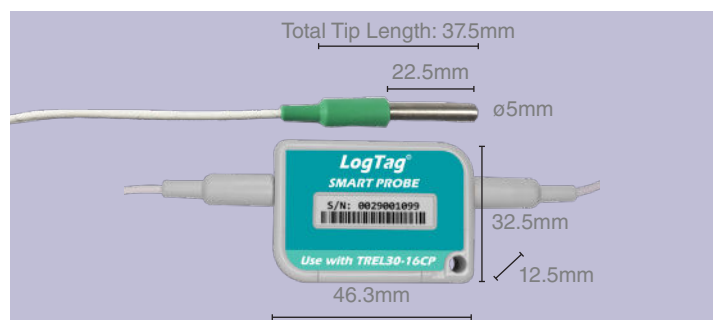
**CP110K - Smart Probe**

<b>Part #:</b>	CP110K-15: 1.5m (4'11") CP110K-30: 3.0m (9'10")
<b>Compatible Loggers:</b>	TRED30-16CP
<b>Stainless Probe Type:</b>	316
<b>Sensor Temperature Range:</b>	-40 °C to +99 °C (-40 °F to +210 °F)



**CP10S - Smart Probe**

<b>Part #:</b>	CP10S-15: 1.5m (4'11") CP10S-30: 3.0m (9'10")
<b>Compatible Loggers:</b>	UTREL30-16 Dual-Channel UTREL30-WiFi Dual-Channel TREL30-16U
<b>Stainless Probe Type:</b>	316
<b>Sensor Temperature Range:</b>	-90 °C to +40 °C (-130 °F to +104 °F)

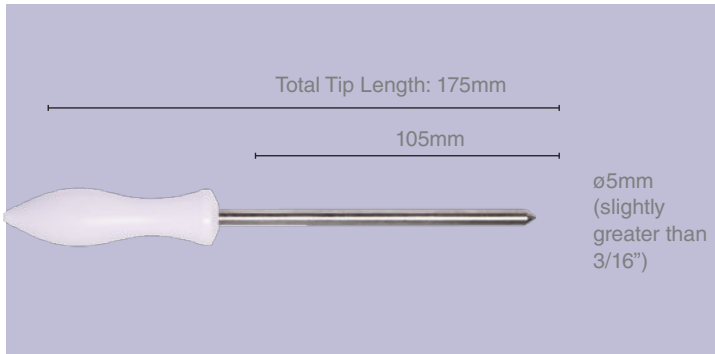


**CP11S - Smart Probe**

<b>Part #:</b>	CP11S-15: 1.5m (4'11") CP11S-30: 3.0m (9'10")
<b>Compatible Loggers:</b>	TREL30-16CP
<b>Stainless Probe Type:</b>	316
<b>Sensor Temperature Range:</b>	-90 °C to +40 °C (-130 °F to +104 °F)

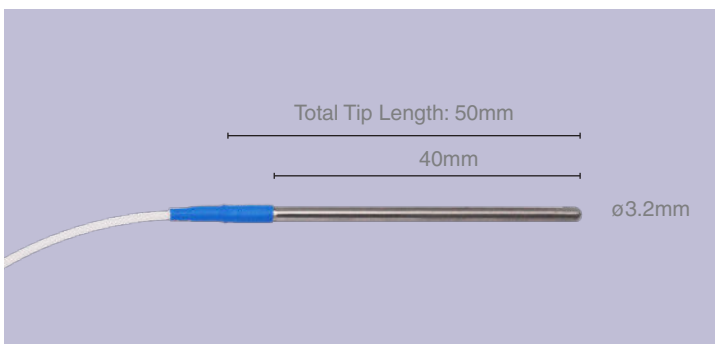
## ST100 range

The LogTag® ST100 probe range is suitable for a wide range of applications in conjunction with compatible external probe data loggers. All materials at probe end of the cable are FDA food rated, including the cable (except ST100B), and terminated with a high quality gold plated MCX connector and an industrial strength PTFE coaxial cable.



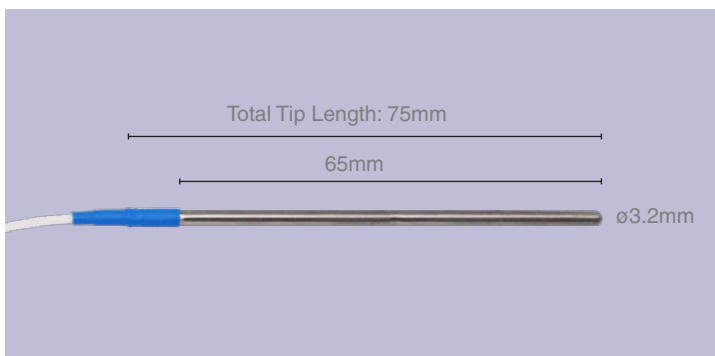
**ST100H - Handled Long Tipped Probe**

<b>Part #:</b>	ST100H-15: 1.5m (4'11") ST100H-30: 3.0m (9'10")
<b>Compatible Loggers:</b>	TREX loggers TRED30 loggers UTRED and UTRED30 loggers
<b>Stainless Probe Type:</b>	316
<b>Sensor Temperature Range:</b>	-40 °C to +99 °C (-40 °F to +210 °F)



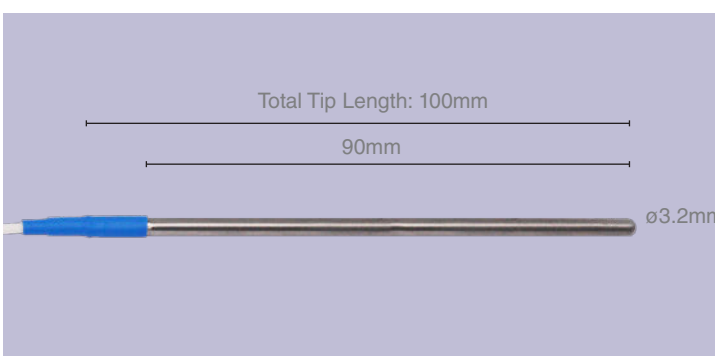
**ST100J - Short Round Tip Probe**

<b>Part #:</b>	ST100J-15: 1.5m (4'11") ST100J-30: 3.0m (9'10")
<b>Compatible Loggers:</b>	TREX loggers TRED30 loggers UTRED and UTRED30 loggers
<b>Stainless Probe Type:</b>	316
<b>Sensor Temperature Range:</b>	-40 °C to +99 °C (-40 °F to +210 °F)



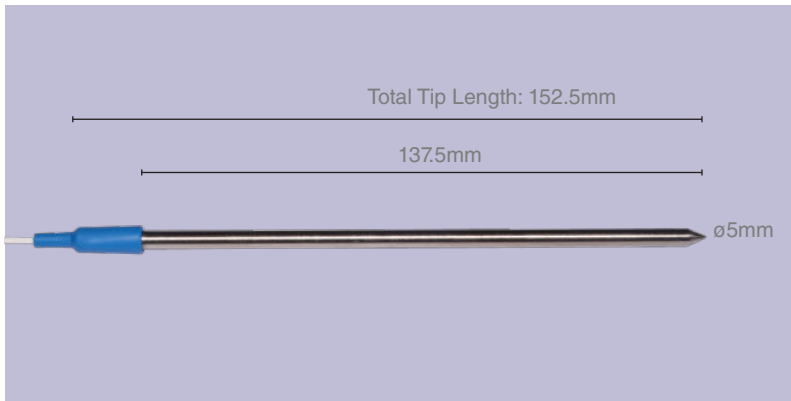
**ST100K - Medium Round Tip Probe**

<b>Part #:</b>	ST100K-15: 1.5m (4'11") ST100K-30: 3.0m (9'10")
<b>Compatible Loggers:</b>	TREX loggers TRED30 loggers UTRED and UTRED30 loggers
<b>Stainless Probe Type:</b>	316
<b>Sensor Temperature Range:</b>	-40 °C to +99 °C (-40 °F to +210 °F)



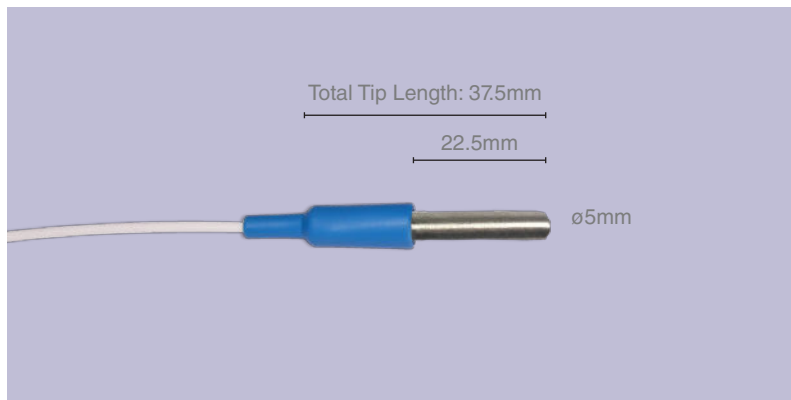
**ST100L - Long Round Tip Probe**

<b>Part #:</b>	ST100L-15: 1.5m (4'11") ST100L-30: 3.0m (9'10")
<b>Compatible Loggers:</b>	TREX loggers TRED30 loggers UTRED and UTRED30 loggers
<b>Stainless Probe Type:</b>	316
<b>Sensor Temperature Range:</b>	-40 °C to +99 °C (-40 °F to +210 °F)



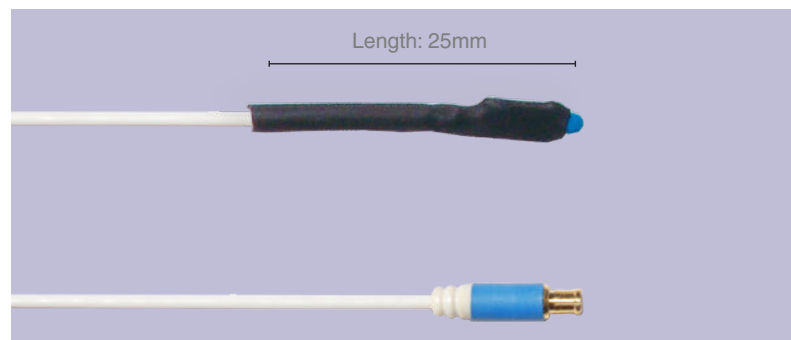
**ST100T - Long Tipped Sensor Probe**

<b>Part #:</b>	ST100T-15: 1.5m (4'11") ST100T-30: 3.0m (9'10")
<b>Compatible Loggers:</b>	TREX loggers TRED30 loggers UTRED and UTRED30 loggers
<b>Stainless Probe Type:</b>	316
<b>Sensor Temperature Range:</b>	-40 °C to +99 °C (-40 °F to +210 °F)



**ST100S - Short Round Tip Sensor Probe**

<b>Part #:</b>	ST100S-15: 1.5m (4'11") ST100S-30: 3.0m (9'10")
<b>Compatible Loggers:</b>	TREX loggers TRED30 loggers UTRED and UTRED30 loggers
<b>Stainless Probe Type:</b>	316
<b>Sensor Temperature Range:</b>	-40 °C to +99 °C (-40 °F to +210 °F)

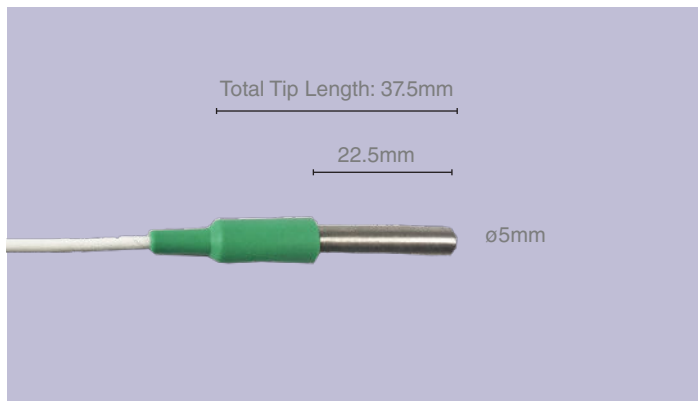


**ST100B - Untipped Bare Sensor**

<b>Part #:</b>	ST100B-15: 1.5m (4'11") ST100B-30: 3.0m (9'10")
<b>Compatible Loggers:</b>	TREX loggers TRED30 loggers UTRED and UTRED30 loggers
<b>Sensor Temperature Range:</b>	-40 °C to +99 °C (-40 °F to +210 °F)

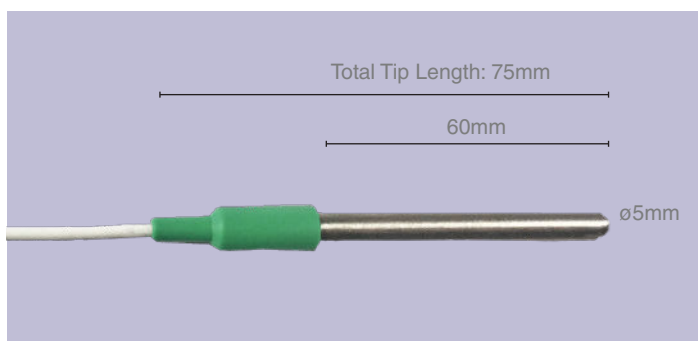
## ST10 range (Ultra-Low Temperature)

The LogTag<sup>®</sup> ST10 probe range is distinguished from other external temperature probe types by the green sleeve, and the green body at the plug end of the probe cable. These probes are suitable for the TREL/UTREL models. The probe is terminated with a high quality gold plated MCX connector and industrial strength PTFE coaxial cable.



**ST10S - Short Round Tip Probe**

<b>Part #:</b>	ST10S-05: 0.5m (1'6") ST10S-15: 1.5m (4'11") ST10S-30: 3.0m (9'10")
<b>Compatible Loggers:</b>	TREL & TREL30 loggers UTREL & UTREL30 loggers
<b>Stainless Probe Type:</b>	316
<b>Sensor Temperature Range:</b>	-90 °C to +40 °C (-130 °F to +104 °F)

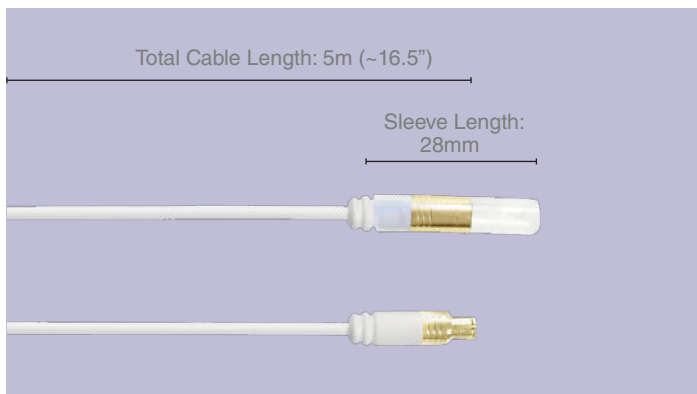


**ST10M - Medium Round Tip Probe**

<b>Part #:</b>	ST10M-15: 1.5m (4'11")
<b>Compatible Loggers:</b>	TREL & TREL30 loggers UTREL & UTREL30 loggers
<b>Stainless Probe Type:</b>	316
<b>Sensor Temperature Range:</b>	-90°C to +40°C (-130°F to +104°F)

## STX-50

5 meter (~16' 5") extension cable for extending ST10 or ST100 external temperature sensors, EXCLUDING Smart Probes. The socket end of the cable (which accepts the ST10 or ST100 plug) is fitted with a flexible sleeve that when the ST sensor's plug is in place will protect the mated connection to IP61. The STX-50 extension is designed as a permanent connection and not for frequent connections.



<b>Part #:</b>	STX-50
<b>Environmental:</b>	Logger to extension connection rating: IP61 (when logger vertically mounted or hung) Extension to probe connection rating: IP61, -46°C (-50.8°F) ~ +74 °C (165.2°F)
<b>Compatibility:</b>	For extending ST100 and ST10 external temperature probes* *only 1 extension per logger

### STX-50 - External Probe Extension cable